

TIGER

- Suitable for high (+60°C) and low temperatures (-50°C)
- Fast maintenance
- Easy to wire
- Zones 2, 22

Ex n

Shock resistant tempered glass



Corrosion resistant aluminium clips



Cooling fins



Adjustable tracking sonimeter

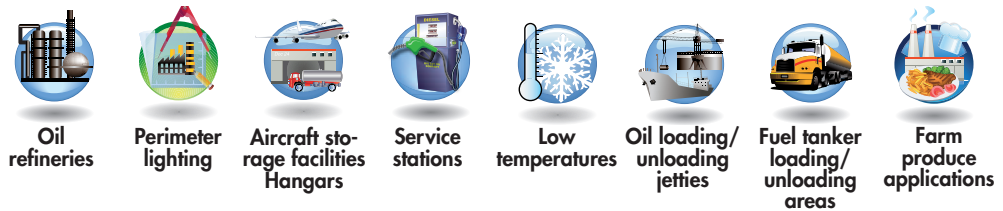


TIGER series Rectangular floodlights

TIGER series floodlights have been manufactured and tested in compliance with European standards for use in hazardous areas classified as Zone 2 due to the presence of gases and as Zone 22 for the presence of dusts. When fitted with a symmetrical internal reflector, they are ideal for lighting large areas and when fitted with an asymmetrical reflector they provide a concentrated beam of light exactly where it is required. Their IP66 degree of protection and excellent performance at high (+60°C) and low (-50°C) temperatures makes TIGER floodlights ideal for all those settings where climatic conditions are extreme. Wiring is greatly facilitated by the use of specially designated terminals that speed up installation and prevent wrong connections. The electrical components are easily accessed (ballast, capacitor, igniter) and are pre-wired to the terminal board this reducing maintenance time and installation costs.

Ex n

Application sectors:



CERTIFICATION DATA

| | | | | |
|----------------------------------|-----------------------------------------------------------------------------------------------------------------------------------------------------------------------------------|------------------------|-----------------------------------------------------------------------------------------------------------------|--|
| Classification: | Group II | Category 3GD | | |
| Installation: EN 60079.14 | zone 2 - zone 22 (Dust) | | | |
| Marking: | CE Ex II 3GD Ex nR II T2/T3 - Ex tD A22 IP 66 | | | |
| | CE 0722 Ex II 3D Ex tD A22 IP 66 | | | |
| Certification: | ATEX CESI 06 ATEX 054 | | | |
| | IEC Ex ITS 12.0004X | | All IEC Ex certification data can be downloaded at www.cortemgroup.com | |
| | GOST R AVAILABLE | | -60°C +50°C | |
| Standards: | CENELEC EN 60079-0: 2006, EN 60079-15: 2005, EN 61241-0: 2006, EN 61241-1: 2004 and EUROPEAN DIRECTIVE 94/9/EC: 1994 IEC 60079-0: 2011, IEC 60079-15: 2010, IEC 60079-31: 2008 | | | |
| Class temperature: | 300°C (T2) | 200°C (T3) | | |
| Ambient temperature: | Standard -25°C +60°C | Special -50°C +60°C | | |
| Degree of protection: | IP66 | | | |

TIGER series Rectangular floodlights

Ex n



MECHANICAL FEATURES

| | |
|----------------------------|-------------------------------------------------------------------------------------------------|
| Body: | Die-cast aluminium (EN AB 46100) |
| Glass: | Tempered to withstand shock and high temperatures |
| Gaskets: | Acid, hydrocarbon and high temperature resistant silicone |
| Internal reflector: | Symmetrical and asymmetrical (see photometric diagrams) in 99.85 oxidised, polished aluminium |
| Supporting bracket: | 5 mm galvanised steel with index for tracking goniometer |
| Mounting: | 2 x Ø11 and 1 x Ø13 holes |
| Bolts and screws: | Stainless steel |
| Locking mechanism: | Aluminium clips |
| Hinge: | Stainless steel |
| Entries: | 1 x PG13.5 entry. Fron Lighting fixture complete with UNP4XE cable gland for non armoured cable |
| Coating: | RAL 9006 grey polyester powder |


ELECTRICAL FEATURES

| | |
|-------------------------|----------------------------------------------------------------------------|
| Lamp holder: | E40 ceramic |
| Rated voltage: | 230 V AC |
| Rated frequency: | 50 Hz |
| Connection: | Direct connection to the terminal board L, N, Pe. Section 4mm ² |
| Power factor: | 0.90 |

ACCESSORIES AVAILABLE / SPECIAL REQUESTS

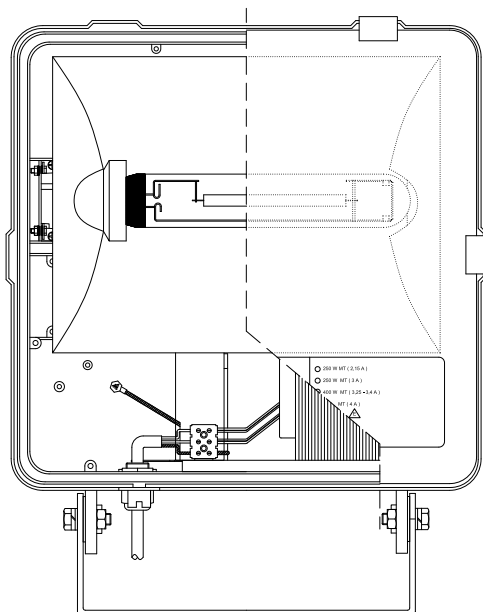
Discharge lamp
Rated voltage: 277 V 60 Hz (code TIGER-400HA/**277**)
Rated voltage: 480 V 50 Hz (code TIGER-400HA/**480**)
Rated frequency: 60 Hz at 230 V (code TIGER-400HA/**60**)
Loop in / loop out on request
Other voltages available on request

TIGER series selection chart

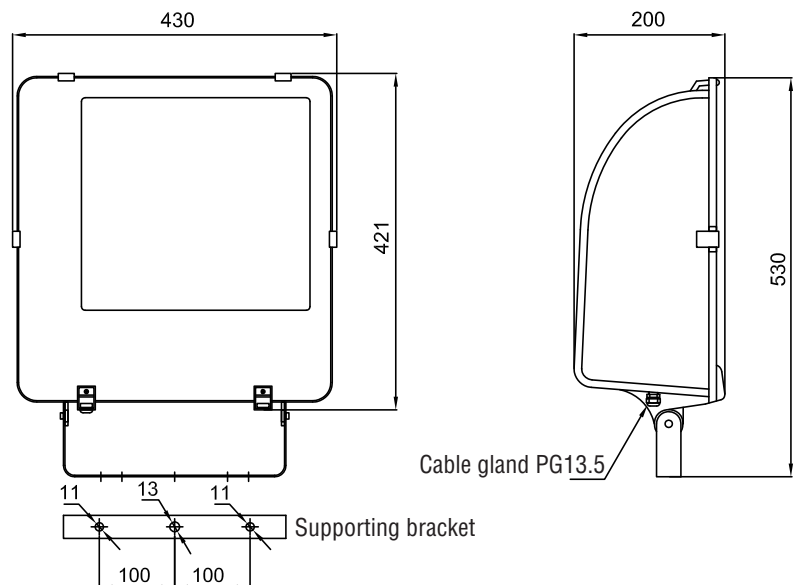
| Code | Reflector | Type of lamp | Watt | Class T.a. +60°C | Max surface temperature °C | Weight Kg |  |
|---------------|--------------|----------------------|------|---------------------|-------------------------------|-----------|-------------------------------------------------------------------------------------|
| TIGER-150NA | Symmetrical | high pressure sodium | 150 | T3 | 160 | 10.5 | 480x440x220 |
| TIGER-150NAAS | Asymmetrical | high pressure sodium | 150 | T3 | 160 | 10.5 | 480x440x220 |
| TIGER-250NA | Symmetrical | high pressure sodium | 250 | T3 | 160 | 11.3 | 480x440x220 |
| TIGER-250NAAS | Asymmetrical | high pressure sodium | 250 | T3 | 160 | 11.3 | 480x440x220 |
| TIGER-400NA | Symmetrical | high pressure sodium | 400 | T3-T2 | 189-210 | 13.0 | 480x440x220 |
| TIGER-400NAAS | Asymmetrical | high pressure sodium | 400 | T3-T2 | 189-210 | 13.0 | 480x440x220 |
| TIGER-250HA | Symmetrical | metal halide | 250 | T2 | 160 | 11.3 | 480x440x220 |
| TIGER-250HAAS | Asymmetrical | metal halide | 250 | T2 | 160 | 11.3 | 480x440x220 |
| TIGER-400HA | Symmetrical | metal halide | 400 | T3-T2 | 189-210 | 13.0 | 480x440x220 |
| TIGER-400HAAS | Asymmetrical | metal halide | 400 | T3-T2 | 189-210 | 13.0 | 480x440x220 |
| TIGER-150HG | Symmetrical | mercury vapour | 150 | T2 | 160 | 10.5 | 480x440x220 |
| TIGER-150HGAS | Asymmetrical | mercury vapour | 150 | T2 | 160 | 10.5 | 480x440x220 |
| TIGER-250HG | Symmetrical | mercury vapour | 250 | T2 | 160 | 11.3 | 480x440x220 |
| TIGER-250HGAS | Asymmetrical | mercury vapour | 250 | T2 | 160 | 11.3 | 480x440x220 |
| TIGER-400HG | Symmetrical | mercury vapour | 400 | T3-T2 | 189-210 | 13.0 | 480x440x220 |
| TIGER-400HGAS | Asymmetrical | mercury vapour | 400 | T3-T2 | 189-210 | 13.0 | 480x440x220 |

Ex n

INTERNAL VIEW



DIMENSIONAL DRAWING



Dimensions in mm

DON'T FORGET TO ORDER THE ACCESSORIES

Example: Floodlight model
TIGER-250NA

+

Lamp
LAMPNAV250W

+ other... see key



TIGER series Accessories and spare parts available on request

Ex n

| ILLUSTRATION | DESCRIPTION | MODEL | FEATURES | CODE | KEY |
|-------------------------------------------------------------------------------------|--------------------------------------------------------------|--------|------------------------------------------|----------------|-------------------------------------------------------------------------------------------------------------------------------------------------------------------------|
|  | High pressure sodium vapour lamp | E40 | 150 W | LAMPNAV150WPLU |   |
| | | | 250 W | LAMPNAV250WPLU | |
| | | | 400 W | LAMPNAV400WPLU | |
|  | Metal halide lamp | E40 | 250 W | LAMP250WJMT |   |
| | | | 400 W | LAMP400WJMT | |
|  | Mercury vapour lamp | E40 | 150 W | LAMP150WHQL |   |
| | | | 250 W | LAMP250WHQL | |
| | | | 400 W | LAMP400WHQL | |
|  | Front ring with glass | | Material: tempered glass | G-505 |  |
|  | Supporting bracket | | Material: galvanised steel | 00040877 |  |
|  | Non-armoured cable gland kit with rubbers, seal and lock nut | PG13.5 | Ex e II IP 66/68 (std. cable range 6-12) | UNP4XE |  |

TIGER series Accessories and spare parts available on request

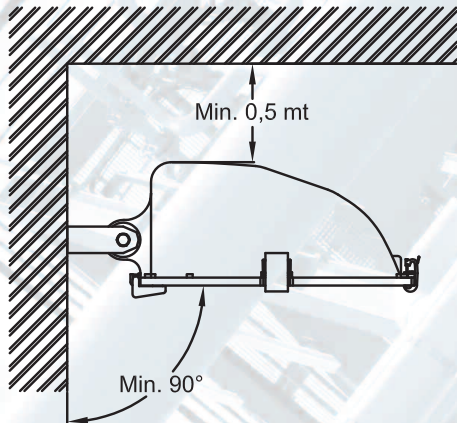
| ILLUSTRATION | DESCRIPTION | MODEL | FEATURES | CODE | KEY |
|-------------------------------------------------------------------------------------|-----------------------------------------------|-----------------|-----------------|-----------|---------------------------------------------------------------------------------------|
|  | Lamp holder | E40 | 750W 16A | PORT E-40 |  |
|  | Mercury vapour ballast | 250 W | 220V 50Hz | R-250 |  |
| | | 400 W | | R-400 | |
| | Sodium vapour and metal halide ballast | 150 W | | R-150 NA | |
| | | 250 W | | R-250 NA | |
| | | 400 W (sodium) | | R-400 NA | |
| | | 400 W (mercury) | | R-400 | |
|  | Capacitor for mercury vapour and metal halide | 250 W | 20 μ F 250V | F-30 |  |
| | | 400 W | 40 μ F 250V | F-40 | |
| | Capacitor for sodium vapour | 250 W | 35 μ F 250V | F-35 | |
| | | 400 W | 50 μ F 250V | F-50 | |
| | | Igniter | 150 W | | |
| 250 W | | | | | |
| 400 W | | | | | |

Ex n

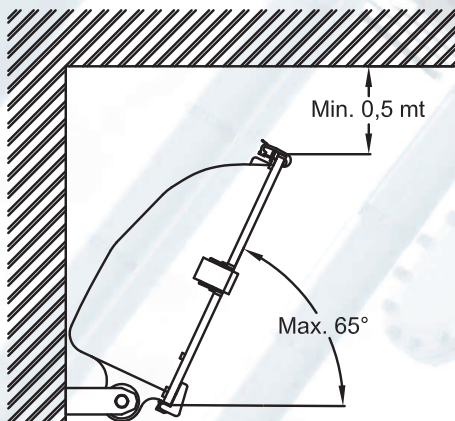
Installation and mounting methods TIGER series...

Ex n

At the maximum ambient temperature $T.a.+60^{\circ}\text{C}$, the temperature class and max surface temp of TIGER-400 model floodlights depends on the installation conditions.



| Temperature classes for floodlights installed at 180° | | |
|-------------------------------------------------------|-------|-------|
| LAMP | 45° C | 60° C |
| 150 W | T3 | T3 |
| 250 W | T3 | T3 |
| 400 W | T3 | T2 |

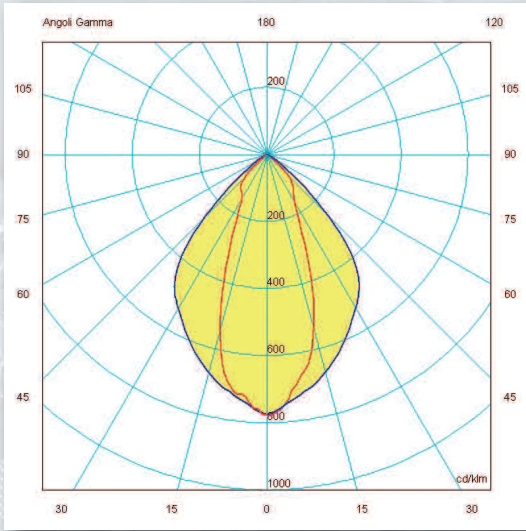


| Temperature classes for floodlights installed at other angles | | |
|---------------------------------------------------------------|-------|-------|
| LAMP | 45° C | 60° C |
| 150 W | T3 | T3 |
| 250 W | T3 | T3 |
| 400 W | T3 | T3 |

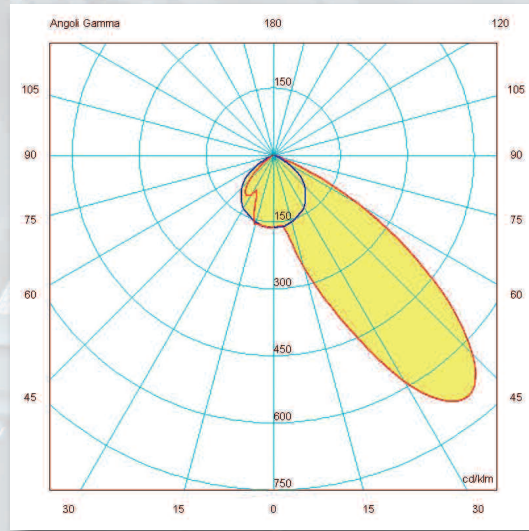


Photometric diagrams

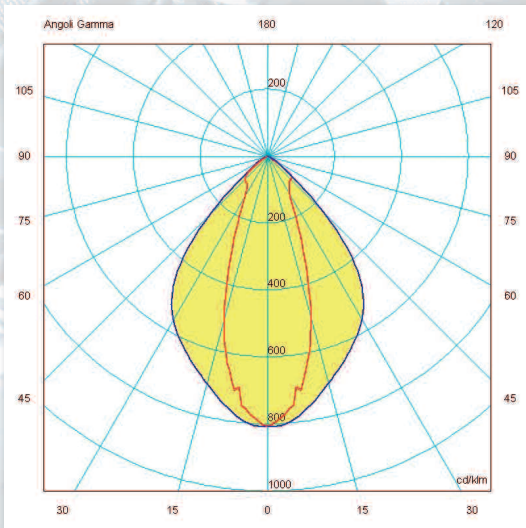
Ex n



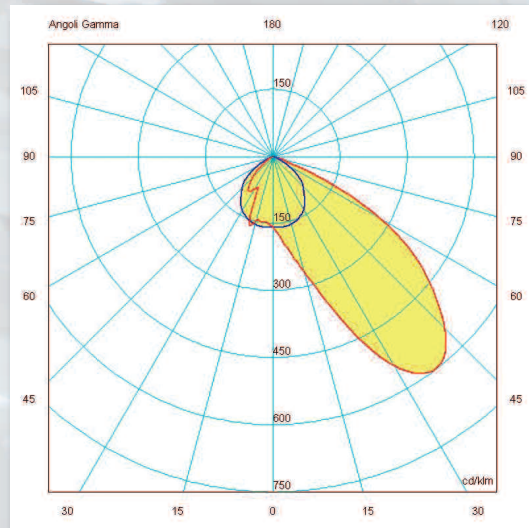
TIGER SYMMETRICAL 150W SODIUM



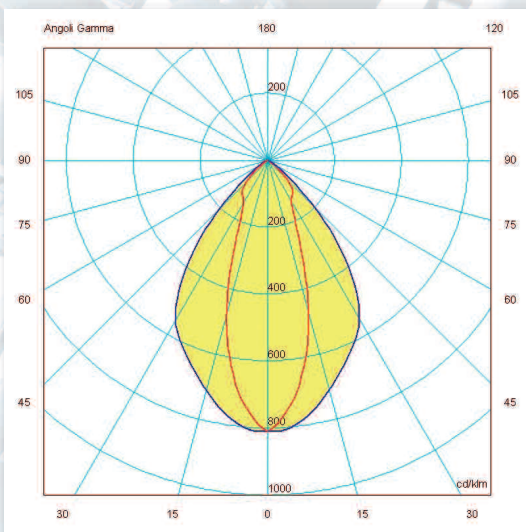
TIGER ASYMMETRICAL 150W SODIUM



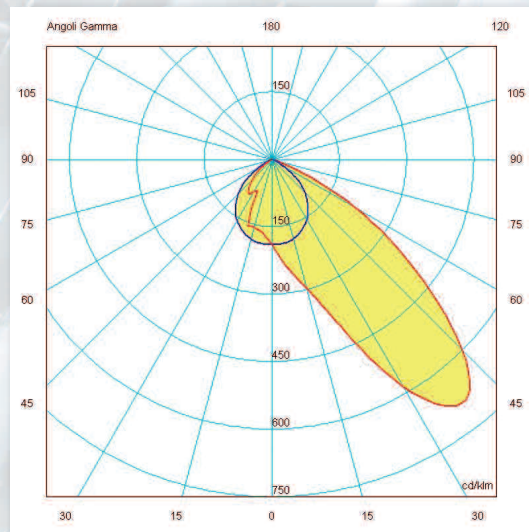
TIGER SYMMETRICAL 250W SODIUM



TIGER ASYMMETRICAL 250W SODIUM



TIGER SYMMETRICAL 400W SODIUM



TIGER ASYMMETRICAL 400W SODIUM

Cortem Group can supply photometric diagram files on request for use in special lighting design projects.
Contact the Sales Office for further information

— = plane 90270
— = plane C 0180